

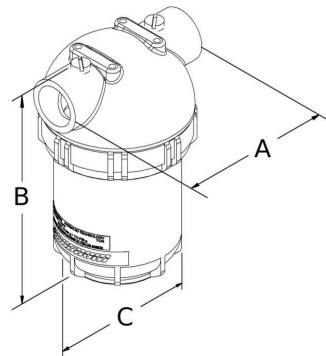


Longer Equipment & Fluid Life - Lower Maintenance Costs

Product Data Sheet : MAGNOM® Clear 5 and 10

Magnom® Clear 5 and 10 Units

The Clear 5 and 10 are brass headed units that feature a clear bowl for easy condition monitoring. The unique design of the Magnom core technology enables the monitoring of contaminant build up even with opaque fluids.



Mounting Method:	In Line
Flow Direction:	See Housing
Construction Material:	
Head and Bowl	Brass/Nylon 12
Magnet	Ferrite C5/C8
Mandrel	Acetal/Delrin
C-Clip	Stainless Steel
O-Ring	Viton
Max. Operating Temperature: °C/(°F)	80/(176)
Max. Operating Pressure: BAR/(PSI)	12/(174)
Burst Pressure: BAR/(PSI)	50/(725)

UNIT WEIGHT AND DIMENSIONAL INFORMATION

Part Number	Unit	Connection / Size	Weight KG / (OZ)	DIM.A CM / (Inch)	DIM.B CM / (Inch)	DIM.C CM / (Inch)	Magnom Plate Material
505102000	Clear 5	1" BSP	2.6 / (92)	12.7 / (5)	18.7 / (7.35)	11.2 / (4.375)	Carbon steel
505103000	Clear 5	1" NPT	2.6 / (92)	12.7 / (5)	18.7 / (7.35)	11.2 / (4.375)	Carbon steel
505302000	Clear 5	1" BSP	2.6 / (92)	12.7 / (5)	18.7 / (7.35)	11.2 / (4.375)	Stainless Steel
505303000	Clear 5	1" NPT	2.6 / (92)	12.7 / (5)	18.7 / (7.35)	11.2 / (4.375)	Stainless Steel
510102000	Clear 10	1" BSP	4.1 / (144)	12.7 / (5)	30.7 / (12.1)	11.2 / (4.375)	Carbon steel
510103000	Clear 10	1" NPT	4.1 / (144)	12.7 / (5)	30.7 / (12.1)	11.2 / (4.375)	Carbon steel
510302000	Clear 10	1" BSP	4.1 / (144)	12.7 / (5)	30.7 / (12.1)	11.2 / (4.375)	Stainless Steel
510303000	Clear 10	1" NPT	4.1 / (144)	12.7 / (5)	30.7 / (12.1)	11.2 / (4.375)	Stainless Steel

www.magnom.com

info@magnom.com

UK Office: tel +44 (0) 1926 623170 fax +44 (0) 1926 623171

USA Office: tel (312) 738 1147 fax (312) 893 2096

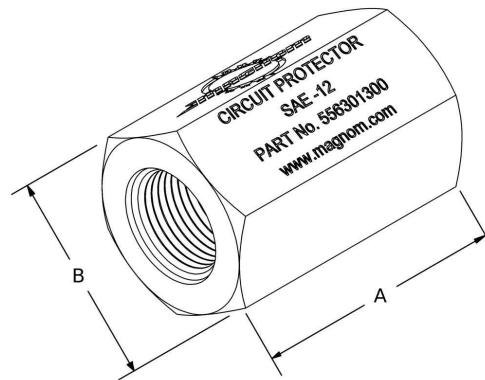


Longer Equipment & Fluid Life - Lower Maintenance Costs

Magnom® CP (Circuit Protection Units)

Built from Aluminium Alloy or Stainless Steel, the CP is a small 2 core Magnom in-line unit.

The CP has a very high pressure capability making it highly suitable for a variety of industrial and hydraulic applications. In particular it is designed to protect key components, such as valves etc. in fluid circuits.



Mounting Method:	In-Line
Flow Direction:	Bi-Directional
Construction Material:	
Housing	Aluminum Alloy or Stainless Steel
Magnet	Samarium Cobalt
Magnom Plates	Carbon Steel
C-Clip	Steel
Max. Operating Temperature: °C/(°F)	150/302

UNIT WEIGHT AND NOMINAL DIMENSIONAL INFORMATION									
Part Number	Unit	Connection / Size	Weight KG / (OZ)	DIM.A CM / (Inch)	DIM.B CM / (Inch)	Head/Body Material	Mandrel Material	Max. OP BAR / (PSI)	Burst Pressure BAR / (PSI)
556201200	CP-10	SAE-10	0.159 / (5.6)	6.5 / (2.50)	3.5 / (1.37)	Aluminum	Aluminum	276 / (4000)	1104 / (16000)
556201300	CP-12	SAE-12	0.454 / (16)	7.2 / (2.83)	4.5 / (1.75)	Aluminum	Aluminum	276 / (4000)	1104 / (16000)
556301200	CP-10	SAE-10	0.412 / (14.5)	6.5 / (2.50)	3.5 / (1.37)	Stainless Steel	Aluminum	414 / (6000)	1654 / (24000)
556301300	CP-12	SAE-12	0.681 / (24)	7.2 / (2.83)	4.5 / (1.75)	Stainless Steel	Aluminum	414 / (6000)	1654 / (24000)
556301400	CP-16	SAE-16	1.136 / (40)	5.7 / (2.25)	7.5 / (2.95)	Stainless Steel	Aluminum	276 / (4000)	1241 / (18000)
556301501	CP-20	SAE-20	1.68 / (59.26)	9.0 / (3.54)	8.5 / (3.35)	Stainless Steel	Stainless Steel	276 / (4000)	1241 / (18000)

Product Data Sheet : CP (Circuit Protection) Unit

www.magnom.com

info@magnom.com

UK Office: tel +44 (0) 1926 623170 fax +44 (0) 1926 623171

USA Office: tel (312) 724 5839



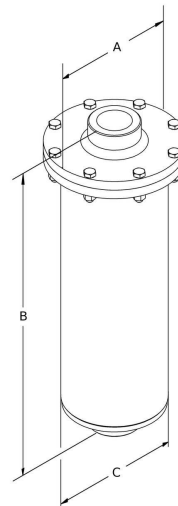
Longer Equipment & Fluid Life - Lower Maintenance Costs

Magnom® IPU In-line Process Units

Designed for heavy duty industrial applications these large Magnom units have a high contaminant holding capacity (up to 4000g) making them the ideal choice for applications and environments with high contaminant levels.



Mounting Method:	In-Line
Flow Direction:	Bi-Directional
Construction Material:	
Housing	Aluminium Alloy
Magnet	Ceramic Ferrite
Mandrel	Aluminium Alloy
Magnom Plates	Carbon Steel
C-Clip	Steel
O-Ring	Viton
Max. Operating Temperature: °C/(°F)	120/248
Max. Operating Pressure: BAR/(PSI)	17/246
Burst Pressure: BAR/(PSI)	50/725



UNIT WEIGHT AND DIMENSIONAL INFORMATION						
Part Number	Unit	Connection / Size	Weight KG / (OZ)	DIM.A CM / (Inch)	DIM.B CM / (Inch)	DIM.C CM / (Inch)
520102100	5	2" BSP	8.2 / (288)	20 / (8)	23.5 / (9.25)	15 / (6)
520102200	20	2" BSP	25 / (880)	20 / (8)	52.2 / (20.5)	15 / (6)
520103100	5	2" NPT	8.2 / (288)	20 / (8)	23.5 / (9.25)	15 / (6)
520103200	20	2" NPT	25 / (880)	20 / (8)	52.2 / (20.5)	15 / (6)

Product Data Sheet : In-line Process Units

www.magnom.com

info@magnom.com

UK Office: tel +44 (0) 1926 623170 fax +44 (0) 1926 623171

USA Office: tel (312) 738 1147 fax (312) 893 2096



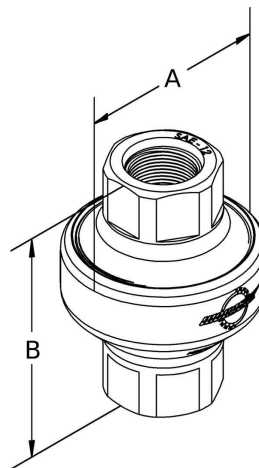
Longer Equipment & Fluid Life - Lower Maintenance Costs

Magnom® Mini, Midi and Max

The Magnom Mini, Midi and Max are compact in-line designed 2 core Magnom units in aluminum alloy. They are highly versatile and suitable for a variety of applications.



Mounting Method:	In-Line
Flow Direction:	Bi-Directional
Construction Material:	
Housing	Aluminium Alloy
Magnet	Ceramic Ferrite
Mandrel	Aluminium Alloy
Magnom Plates	Carbon Steel
C-Clip	Steel
O-Ring/Backup ring	Viton/PTFE
Max. Operating Temperature: °C/(°F)	120/248
Max. Operating Pressure: BAR/(PSI)	104/1500



Product Data Sheet : Mini, Midi and Max

UNIT WEIGHT AND DIMENSIONAL INFORMATION						
Part Number	Unit	Connection / Size	Weight KG / (OZ)	DIM.A CM / (Inch)	DIM.B CM / (Inch)	Burst Pressure BAR / (PSI)
525201000	Mini	SAE-8	0.21 / (8)	4.8 / (1.87)	7.8 / (3.0)	695 / (10000)
530201000	Midi	SAE-12	0.48 / (18)	7.3 / (2.87)	9.8 / (3.87)	485 / (7000)
570201000	Max	SAE-20	1.17 / (42)	10.8 / (4.25)	10.7 / (4.25)	415 / (6000)

www.magnom.com

info@magnom.com

UK Office: tel +44 (0) 1926 623170 fax +44 (0) 1926 623171

USA Office: tel (312) 738 1147 fax (312) 893 2096



Longer Equipment & Fluid Life - Lower Maintenance Costs

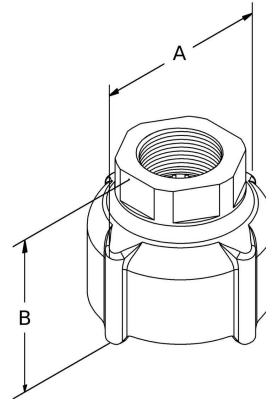
Product Data Sheet : PumpMate

Magnom® PumpMate

The Magnom PumpMate Magnetic Filter (Magnetic Suction Strainer) is specifically designed to protect hydraulic pumps on the suction side, inside the tank (reservoir).



Mounting Method:	Suction-Line
Flow Direction:	Bi-Directional
Construction Material:	
Housing	Acetal
Magnet	Cerramic Ferrite
Magnom Plates	Carbon Steel
Max. Operating Temperature: °C/(°F)	100/212



UNIT WEIGHT AND DIMENSIONAL INFORMATION

Part Number	Unit	Connection / Size	Weight KG / (OZ)	DIM.A CM / (Inch)	DIM.B CM / (Inch)
555103002	¾" NPT	¾" NPT	0.6 / (21)	8.6 / (3.37)	8 / (3.12)
555103005	1" NPT	1" NPT	0.6 / (21)	8.6 / (3.37)	8 / (3.12)
555103008	1¼" NPT	1¼" NPT	0.6 / (21)	8.6 / (3.37)	8 / (3.12)
555103014	2" NPT	2" NPT	1.05 / (37)	12.2 / (4.75)	9.5 / (3.75)
555103020	3" NPT	3" NPT	2.45 / (87)	18.6 / (7.31)	11.8 / (4.62)

Other sizes and connections are available on request subject to price and availability.

www.magnom.com

UK Office: tel +44 (0) 1926 623170 fax +44 (0) 1926 623171

info@magnom.com

USA Office: tel (312) 738 1147 fax (312) 893 2096